



SUBMITTAL SHEET

Project Information

Job Name: _____

Location: _____

Engineer: _____

Contractor: _____

P.O. Number: _____

Representative: _____

5/8" OD Comp x 1/4" OD Comp

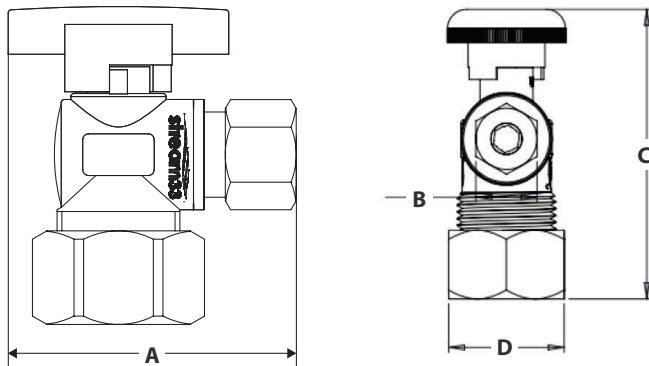
Model	ID	Dimensions (In.)			
		A	B	C	D
S33-EFQTAS-7014	.3403073	1.89	0.5	2.32	0.94

5/8" OD Comp x 3/8" OD Comp

Model	ID	Dimensions (In.)			
		A	B	C	D
S33-EFQTAS-7058	.3344927	2.05	0.62	2.32	0.94

FEATURES

- Lead-free chrome-plated brass body
- Quarter-turn handle
- Angle stop valve
- Temperature rating: 41° - 160° F
- Pressure rating: 125 PSI maximum
- Meets or exceeds the following:
 - cUPC
 - NSF/ANSI 61
 - AB1953



Dimensional Drawing is for representation only.

WARRANTY

1-Year warranty. Visit stream33.com for details.

Material Specifications	
Body	Brass
Stem	Brass
O-Ring	Rubber
Handle	ABS (coated with a chrome finish)
Screw	Stainless Steel
Slip Joint Washer	Brass
Slip Joint Nut	Brass